

# LUNA

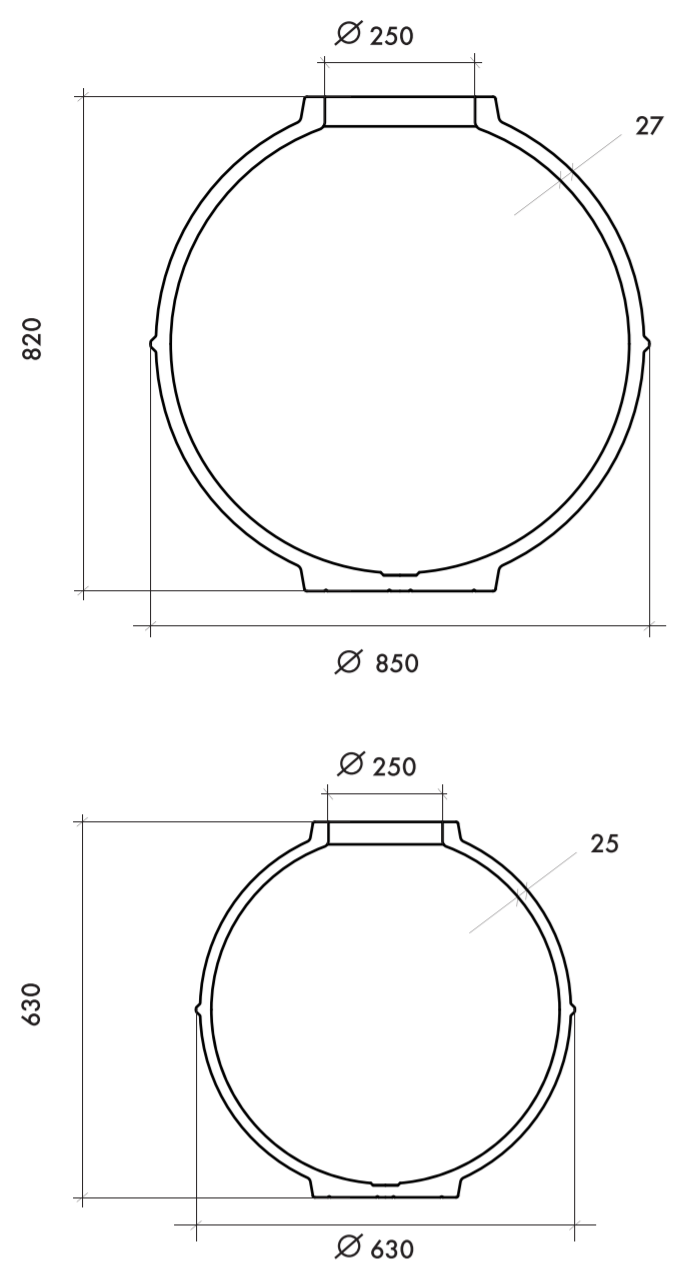
## Clayver 250l - 100l

**material**  
Clayver stoneware

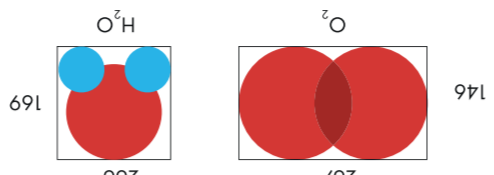
**weight**  
120kg

**capacity**  
250 l

**micro-oxygenation**  
O = 4mg/l/year  
O+ = 12mg/l/year

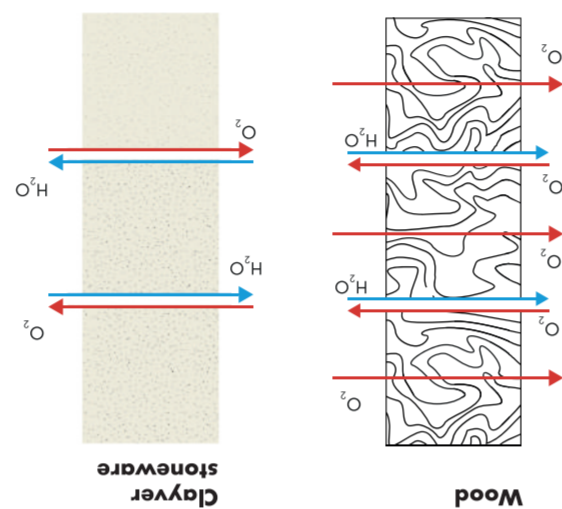


- Open porosity 5%
- Mass density 2.34 g/cm<sup>3</sup>
- Average pore diameter 0.04 μm
- Constitivity 0.76
- Permeability 4.6 - 10<sup>-18</sup> m<sup>2</sup>
- Hydraulic conductivity 2.50.10<sup>-11</sup> m/s
- Water absorption 2.1%
- Hydraulic loss (initial) 0.0035 l/h
- O<sub>2</sub> flux standard type 5mg/l/year
- O<sub>2</sub> flux standard type 13mg/l/year



### Focus on the porosity of Clayver stoneware in relation to a fluid molecule.

- Distance between oxygens in O<sub>2</sub> 12 pm
- Oxygen-hydrogen distance in the water molecule 95.84 pm
- Hydrogen distance in the water molecule 152.50 pm
- Oxygen covalent radius 73 pm
- Hydrogen covalent radius 37 pm
- Bond angle in 104.45°



### Specific technical data for Clayver stoneware

# GALATEA

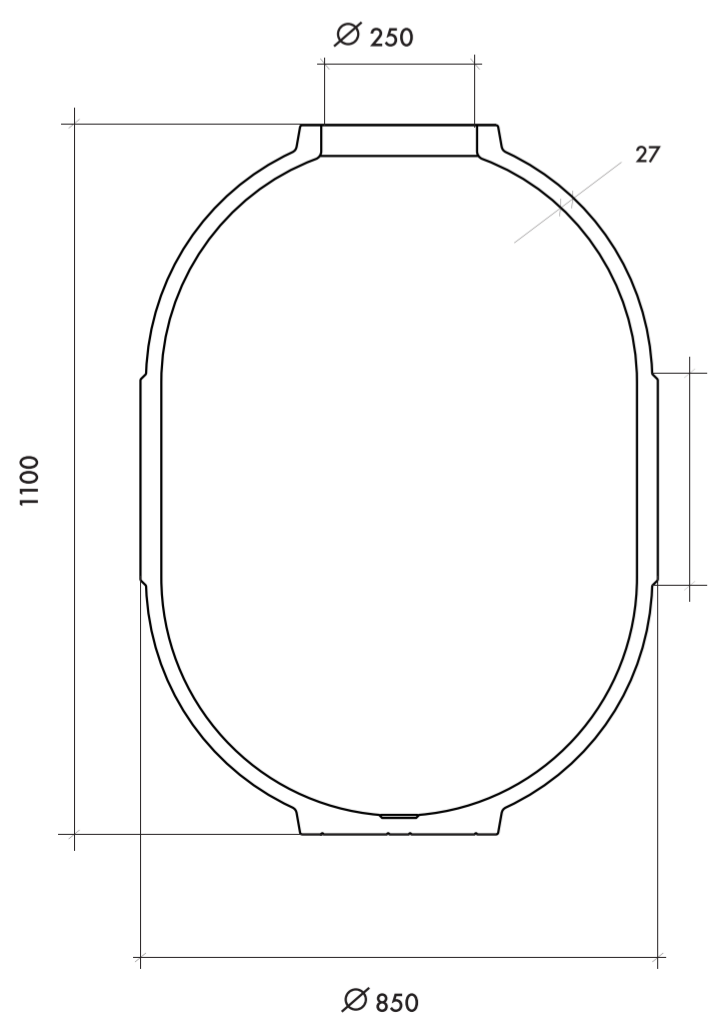
## Clayver 400l

**material**  
Clayver stoneware

**weight**  
175kg

**capacity**  
400 l

**micro-oxygenation**  
O = 3,5mg/l/year  
O+ = 10,4mg/l/year



- Stainless steel collar and clips for glass lid
- Glass lid
- Stainless steel cover for horizontal Clayver
- Macon 40 emptying valve
- Stainless steel cover for vertical Clayver
- Vertical and horizontal wine taster
- Silicone expansion plug
- Two-way valve
- Glass filler
- Single support
- CLAYVER WINERY SYSTEM 2025
- Stainless steel support

# LUNA

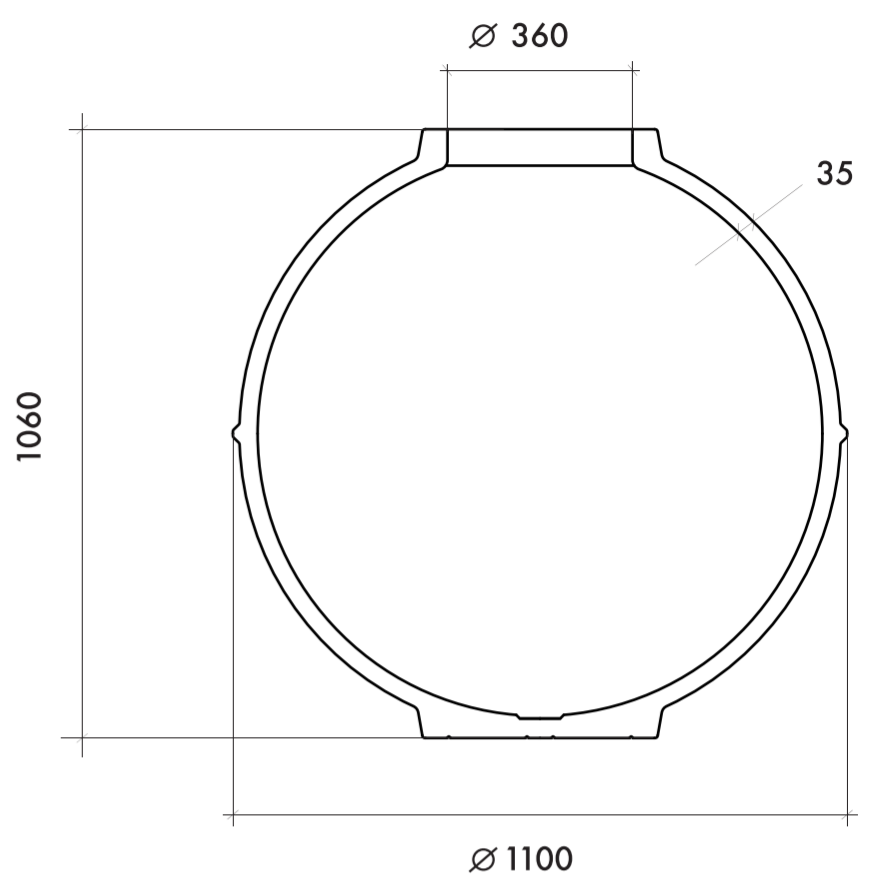
## Clayver 550l

**material**  
Grès Clayver

**weight**  
240kg

**capacity**  
550 litres

**micro-oxygenation**  
O = 2,1mg/l/year  
O+ = 6,2mg/l/year



Every single sample of material undergoes specific tests that guarantee its quality and allow us to trace every single barrel. This allows us to offer a product of the highest craftsmanship based on scientific precision and technological know-how.

- Controlled porosity
- Patented hermetic closure
- High thermal inertia
- Easy cleaning

### Features of Clayver products

The use of an excellent material; A reliable production system that guarantees the reproduction quality of the moulding process; Traceability, we take a sample of every Clayver we have in stock; Regular laboratory analyses; Machines built by the company itself that, thanks to technology and manual skill, guarantee specific and customised finishes and product quality control.

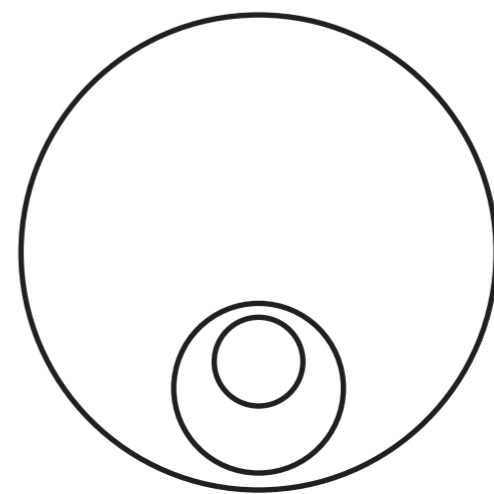
### The Value of the Clayver

Clayver wine barrels are made of a special, homogeneous and compact natural stoneware. This material is in many ways similar to natural granite: it is impermeable to liquids and therefore requires no measures to prevent evaporation. The inherent microporous structure of the ceramic material allows the exchange of gases with the outside of the container, but only in limited quantities and for very long periods of time. The container is therefore also suitable for long periods of maturation and ageing.

### The Clayver Material

## CLAYVER COLLECTION 2025

technical details



# GALATEA

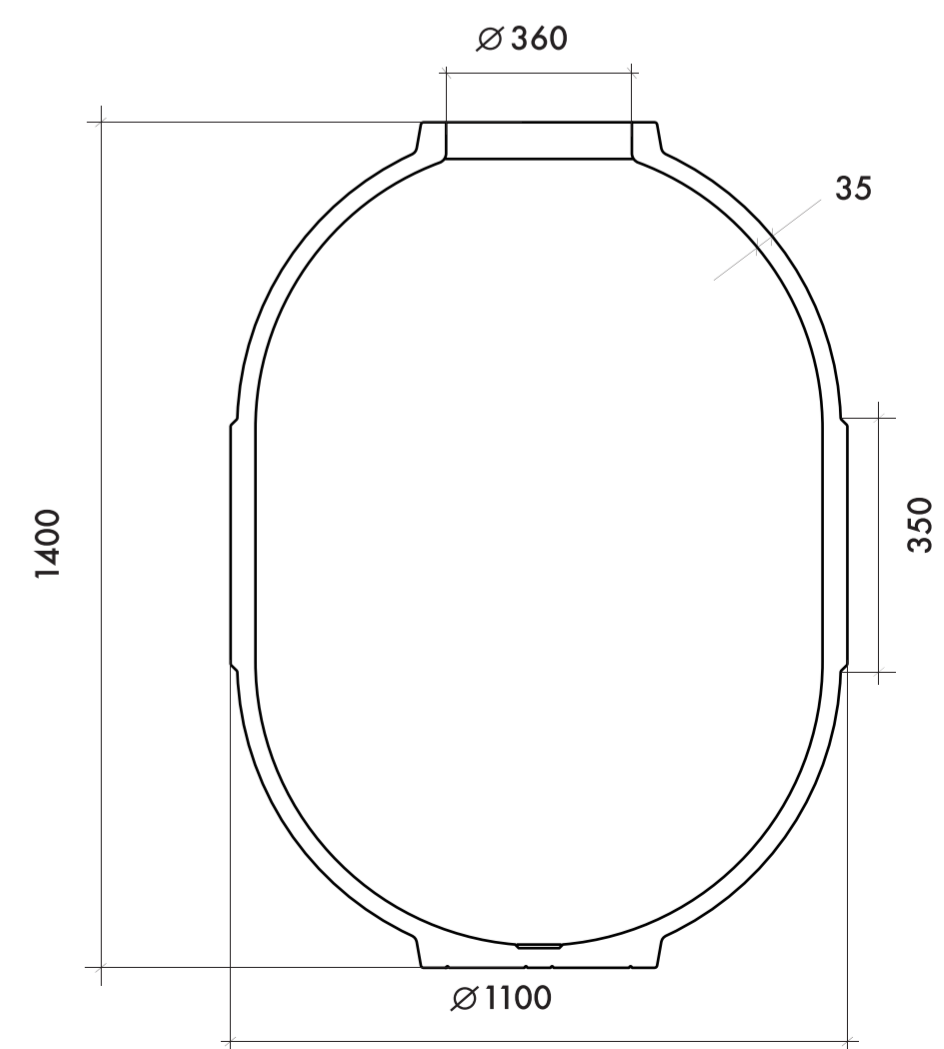
## Clayver 850l

**material**  
Clayver stoneware

**weight**  
380kg

**capacity**  
850 l

**micro-oxygenation**  
O = 2,7mg/l/year  
O+ = 5,5mg/l/year



# LUNA

## Clayver 100l

material  
Clayver  
stoneware

capacity  
100 l

weight  
73 kg

micro-oxygenation  
O = 5,5mg/l/year  
O+ = 16,5mg/l/year



# LUNA

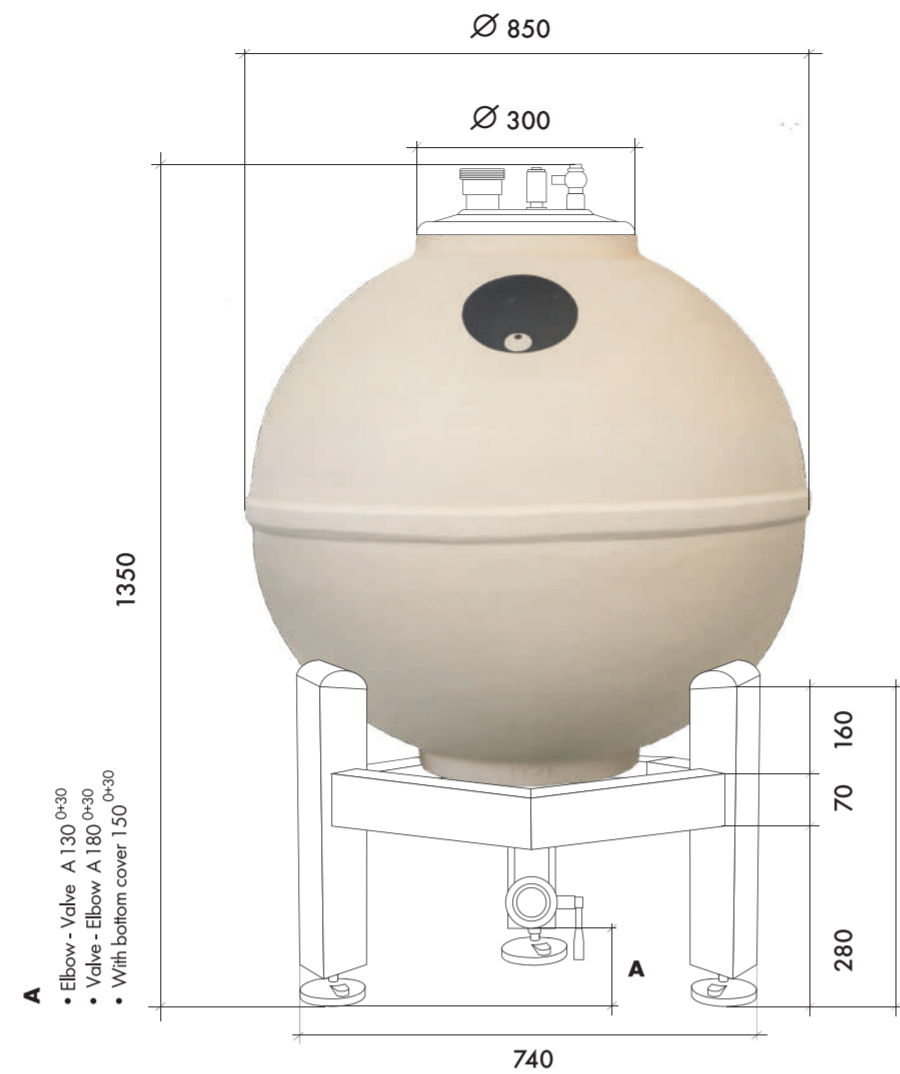
## Clayver 250l

material  
Clayver  
stoneware

capacity  
250 l

weight  
151kg

micro-oxygenation  
O = 4mg/l/year  
O+ = 12mg/l/year



# LUNA

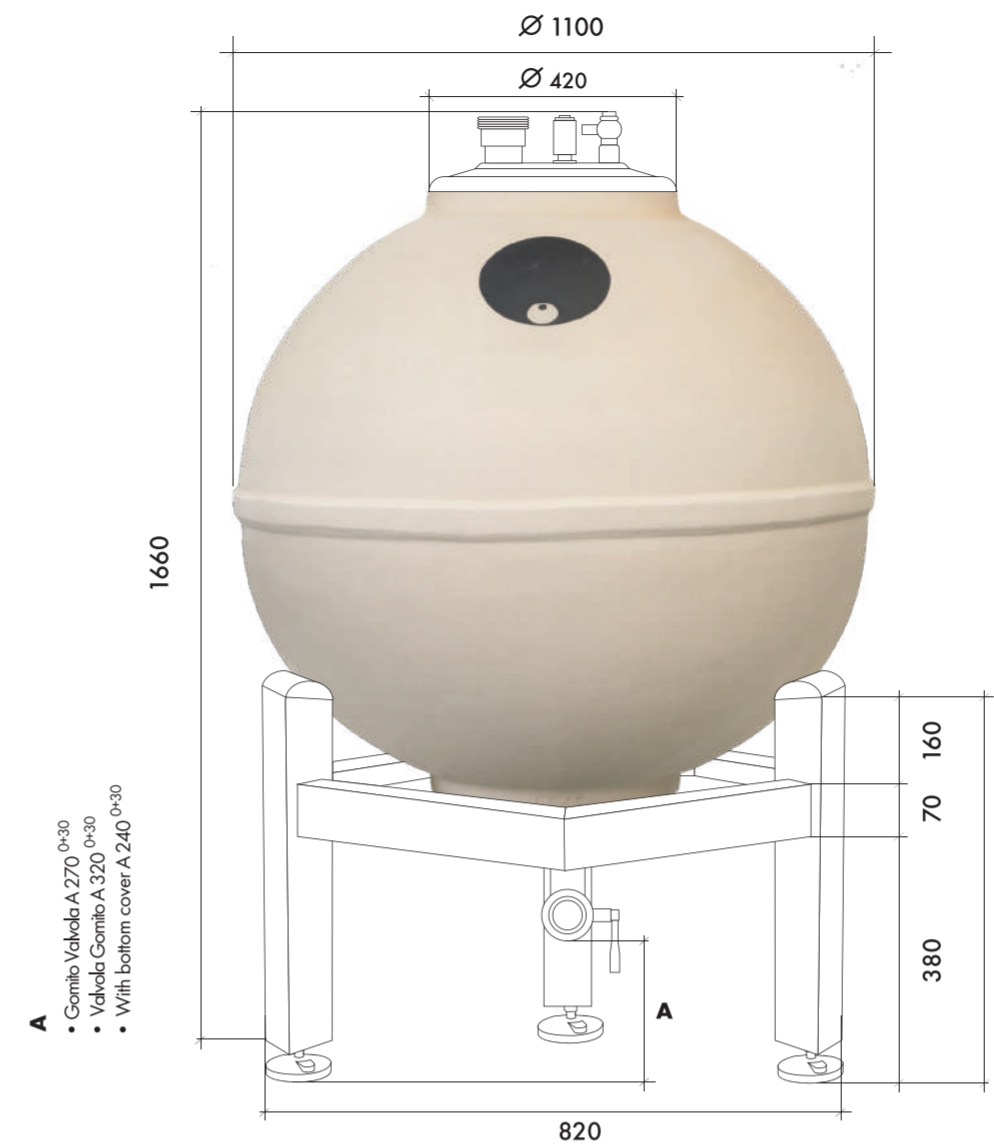
## Clayver 550l

material  
Clayver  
stoneware

capacity  
550 l

weight  
313 kg

micro-oxygenation  
O = 2,1 mg/l/year  
O+ = 6,2 mg/l/year



# POLIFEMO

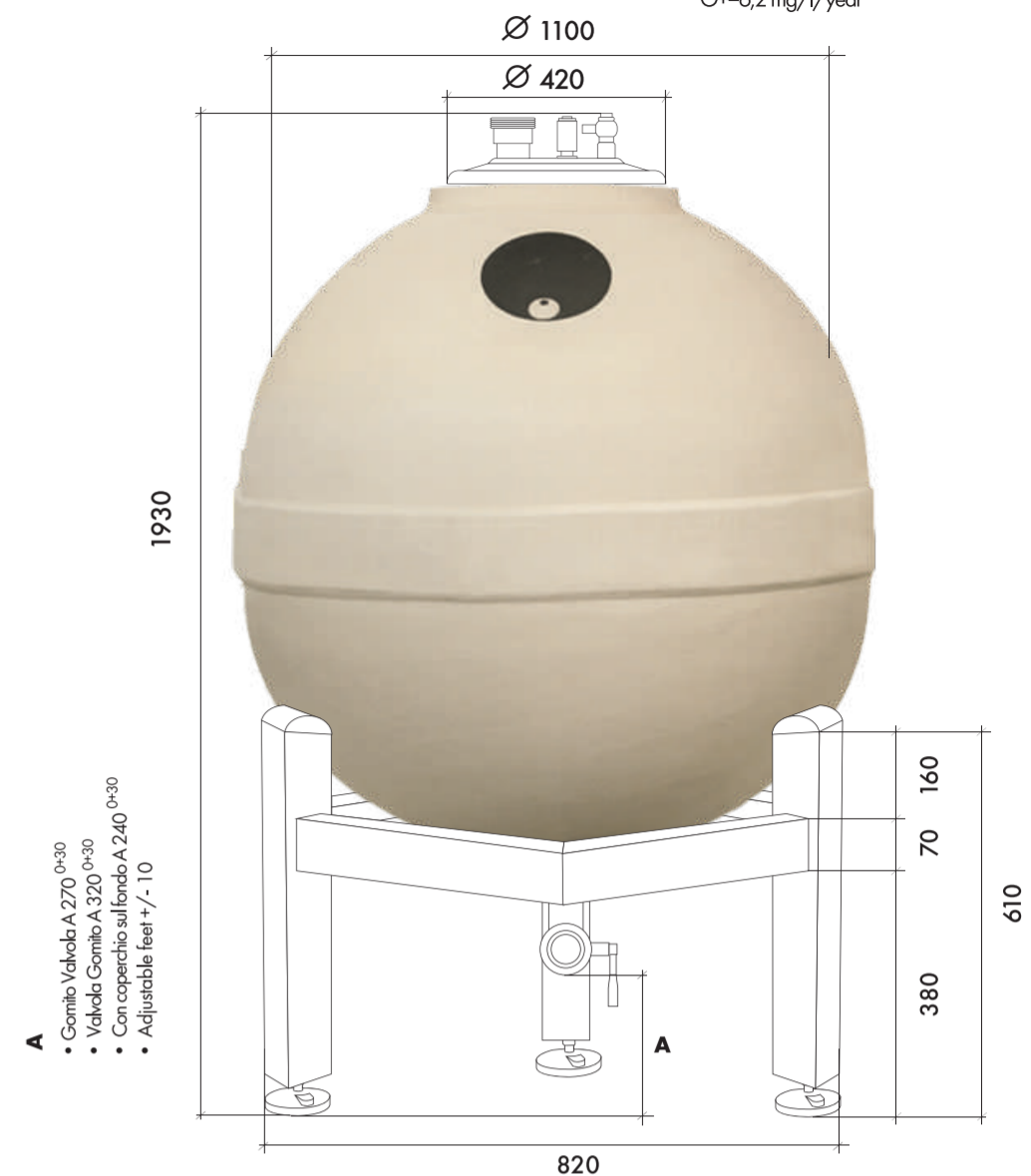
## Clayver 650l

material  
Clayver  
stoneware

capacity  
650 l

weight  
351 kg

micro-oxygenation  
O = 2,1 mg/l/year  
O+ = 6,2 mg/l/year



to learn more [www.clayver.it](http://www.clayver.it)

@clayver\_italia

to learn more [www.clayver.it](http://www.clayver.it)

@clayver\_italia

to learn more [www.clayver.it](http://www.clayver.it)

@clayver\_italia

to learn more [www.clayver.it](http://www.clayver.it)

@clayver\_italia

# GALATEA

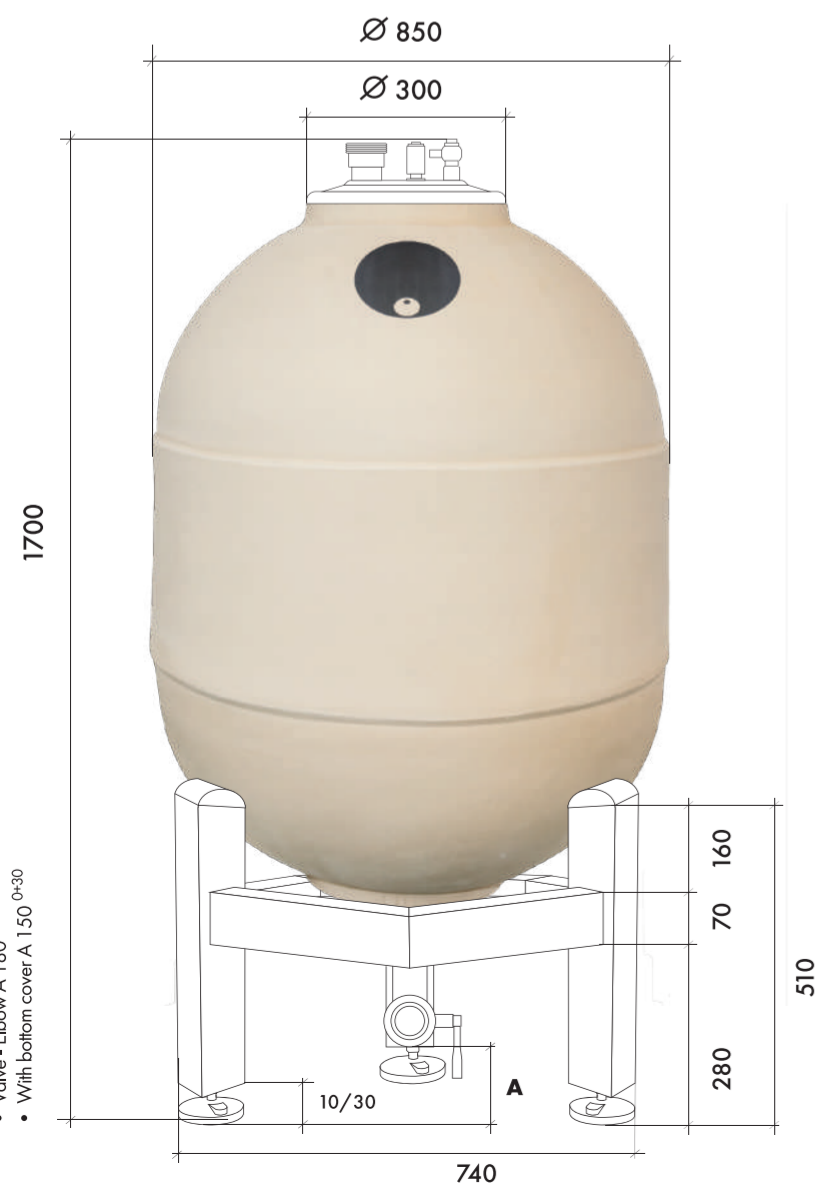
## Clayver 400l

material  
Clayver stoneware

capacity  
400 l

weight  
199kg

micro-oxygenation  
O = 3,5mg/l/year  
O+ = 10,4mg/l/year



# GALATEA

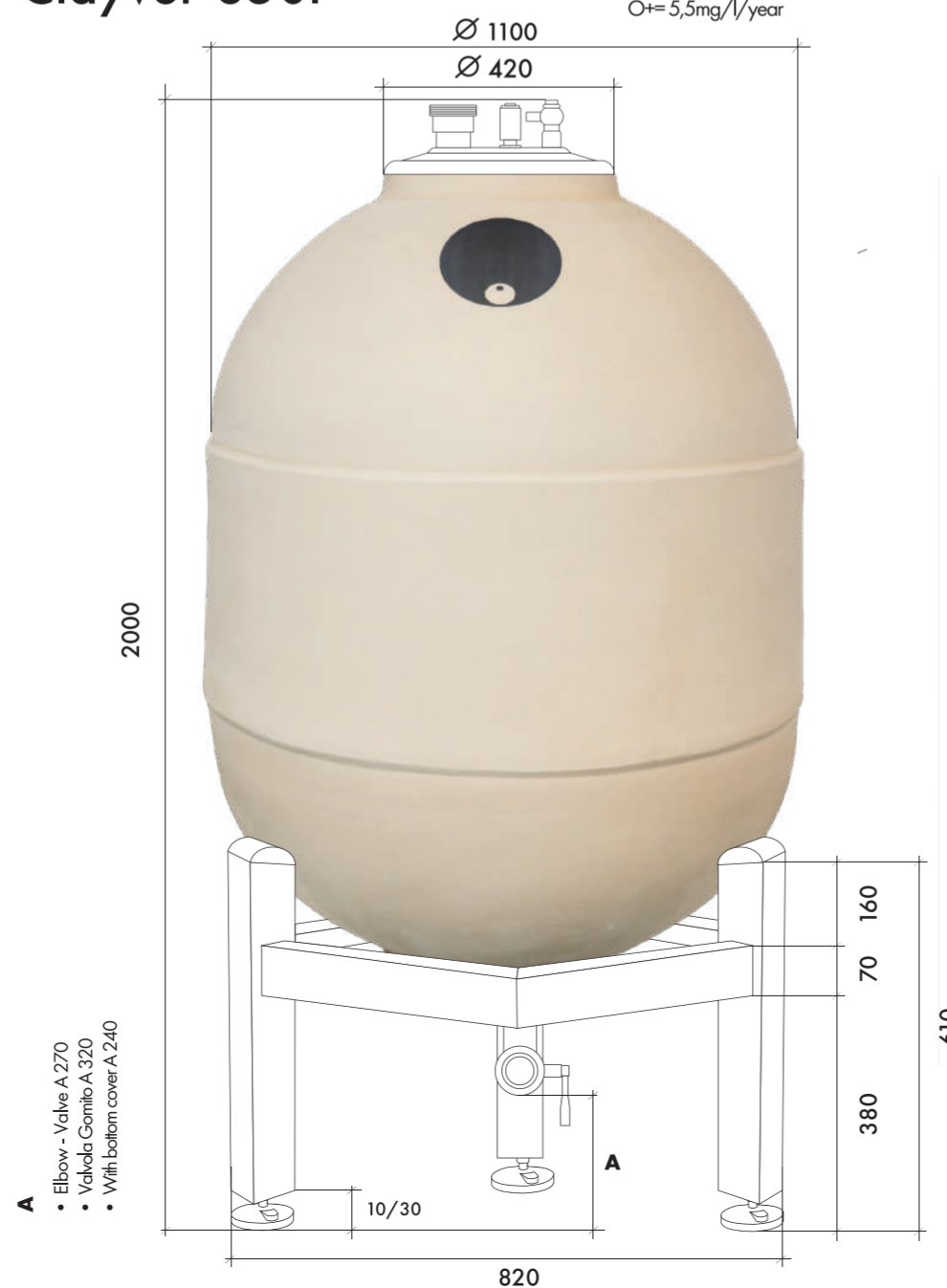
## Clayver 850l

material  
Clayver stoneware

capacity  
850 l

weight  
426kg

micro-oxygenation  
O = 1,8mg/l/year  
O+ = 5,5mg/l/year



# ORIZZONTE

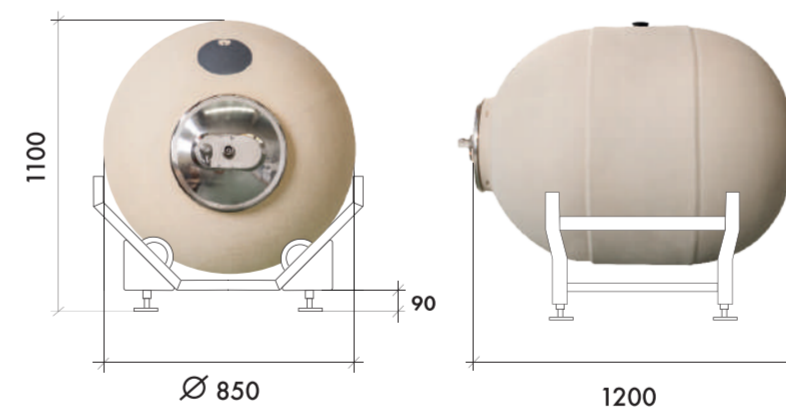
## Clayver 400l

material  
Clayver stoneware

capacity  
400 l

weight  
205kg

micro-oxygenation  
O = 3,5mg/l/year  
O+ = 10,4mg/l/year



# ARISTEO

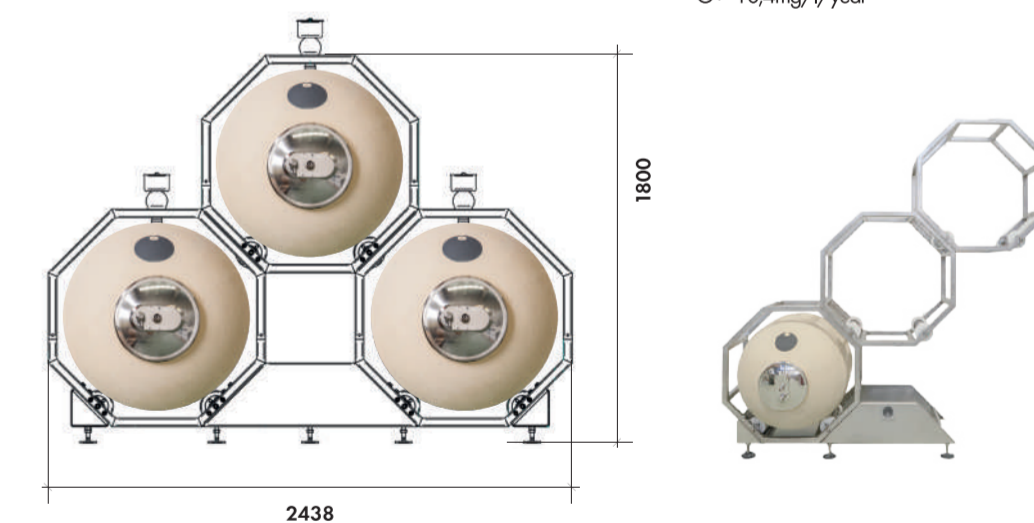
## Clayver 1200L

material  
Clayver stoneware

capacity  
1200 l

weight  
620kg

micro-oxygenation  
O = 3,5mg/l/year  
O+ = 10,4mg/l/year

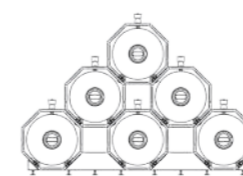


# CLAYVER WINERY SYSTEM 2025

## CLAYVER WINERY SYSTEM

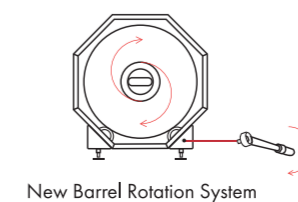
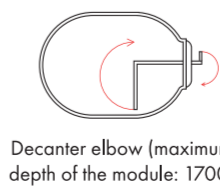
The new CLAYVER support system is available in two types of modular and versatile configurations.

- ARISTEO from 1200L (3 x 400L)
- ATLANTE from 1700L - 2000L (2 x 850L - 2 x 1000L)



The **ATLANTE** modular system optimizes cellar space, protecting barrels and simplifying their management. The decanter elbow facilitates the wine racking.

The **ARISTEO** modular system allows to compose a whole wall of stoneware barrels. The self-supporting AISI 304 modules protect the barrels, and the rotating system enables effective batonage and complete emptying through the bung hole.



# ATLANTE

## Clayver 1700L/2000L

material  
Clayver stoneware

capacity  
1700/2000 l

weight  
760 kg

micro-oxygenation  
O = 1,8/l/year  
O+ = 5,5/l/year

